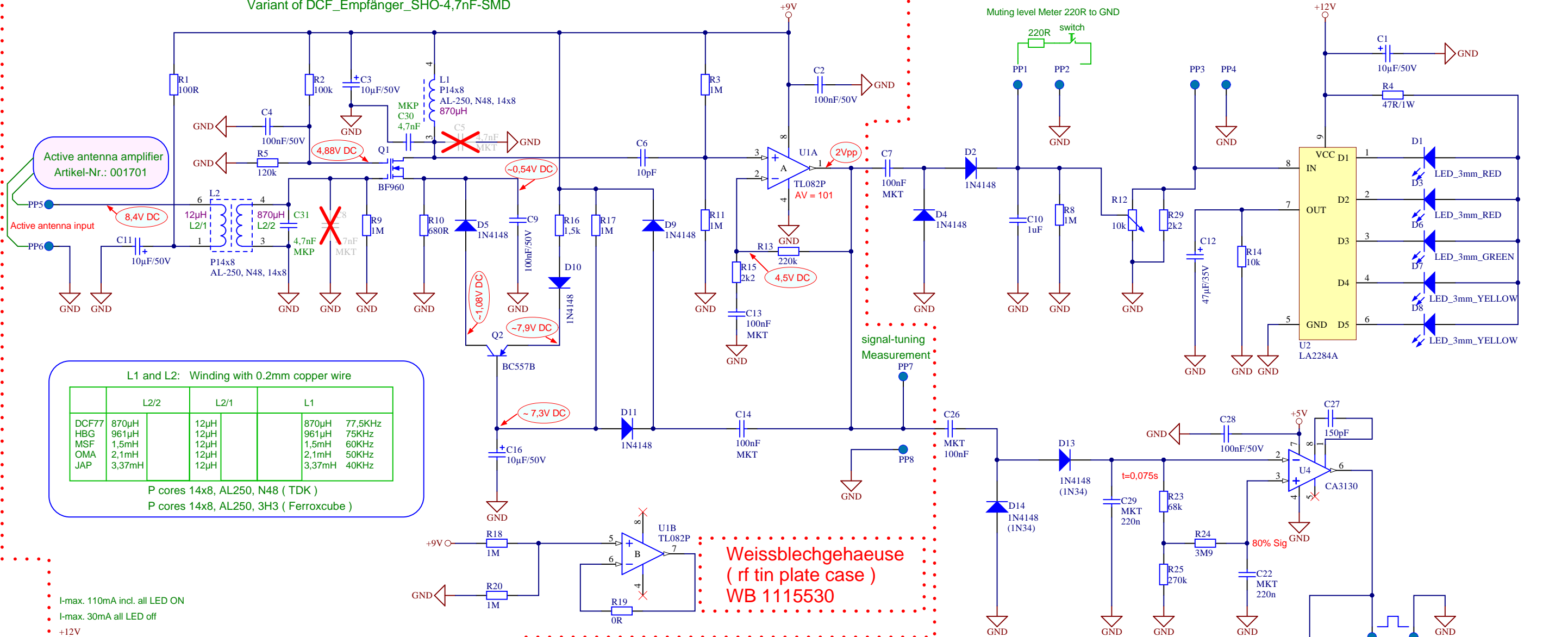


Variant of DCF_Empfänger_SHO-4,7nF-SMD

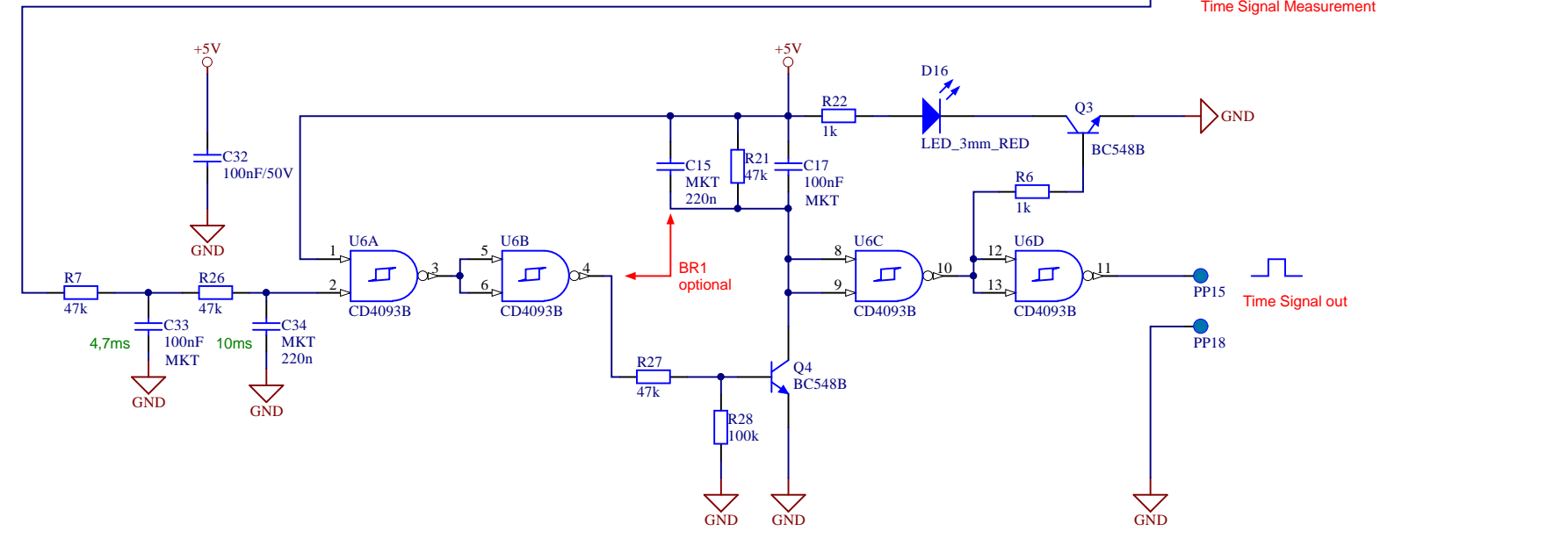
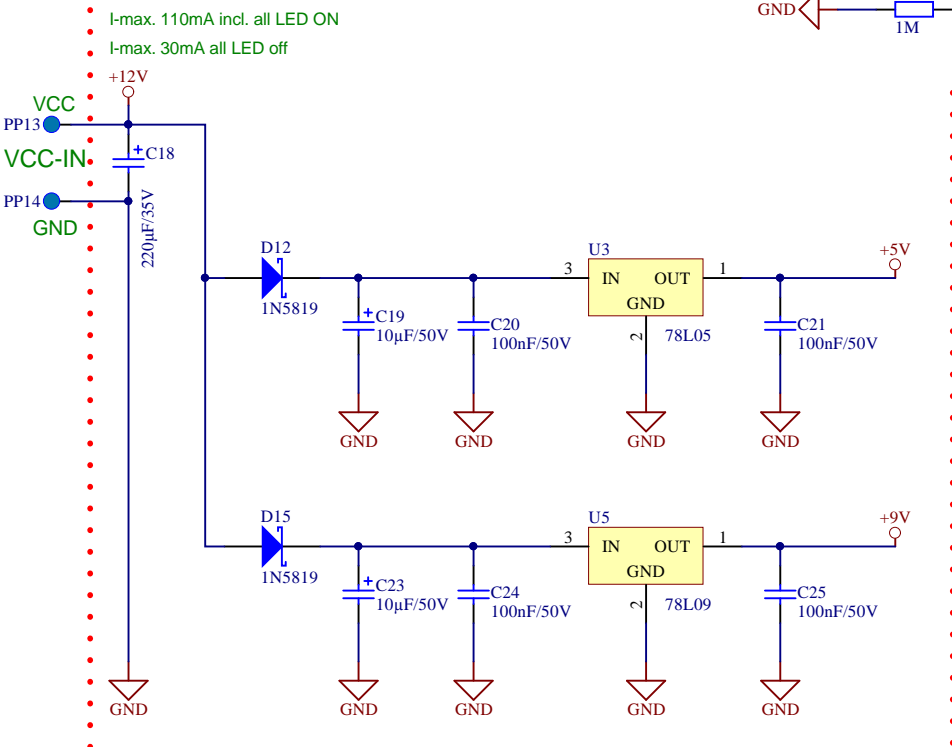


L1 and L2: Winding with 0.2mm copper wire

	L2/2	L2/1	L1
DCF77	870µH	12µH	870µH 77,5KHz
HBG	961µH	12µH	961µH 75KHz
MSF	1,5mH	12µH	1,5mH 60KHz
OMA	2,1mH	12µH	2,1mH 50KHz
JAP	3,37mH	12µH	3,37mH 40KHz

P cores 14x8, AL250, N48 (TDK)
P cores 14x8, AL250, 3H3 (Ferroxcube)

Weissblechgehäuse
(rf tin plate case)
WB 111530



© by shotech S.Hofmann 2020

LP1
Bare-PCB
LP

